



COMMERCIAL VEHICLE AUCTIONS LTD
THE UK'S MOST ESTABLISHED COMMERCIAL VEHICLE AUCTIONEERS

Carr Hill Industrial Estate
Doncaster
DN4 8DE

01302 732600 | cva.noreply@cva-auctions.co.uk

VEHICLE INSPECTION REPORT

YO190US

Ford Transit Connect 240 1.5 ECOBLUE 100PS

Inspection		Vehicle	
Serious Damage?	No	VAT	Plus VAT
		V5	Present

Details					
Reg. date	08/05/2019	Colour	WHITE	CAP Average	£4,025.00
Year	2019	VIN	WF0SXXWPGSKD62092	CAP Below	£3,125.00
Mileage	103,867 Miles Warranted	Body Style	Panel Van L2	Gearbox	MANUAL
Fuel Type	Diesel	MOT Due	10/03/2027	Gears	6
GVW	2405kg	CAP Clean	£4,650.00		

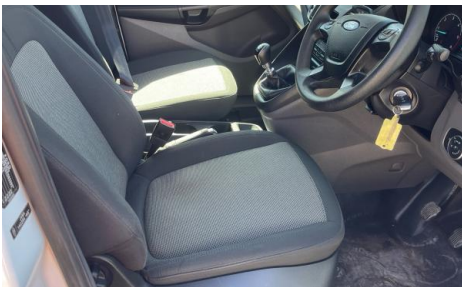
AD-BLUE, SIDE LOADING DOOR

Tyres
NSF
NSR
OSF
OSR
Spare

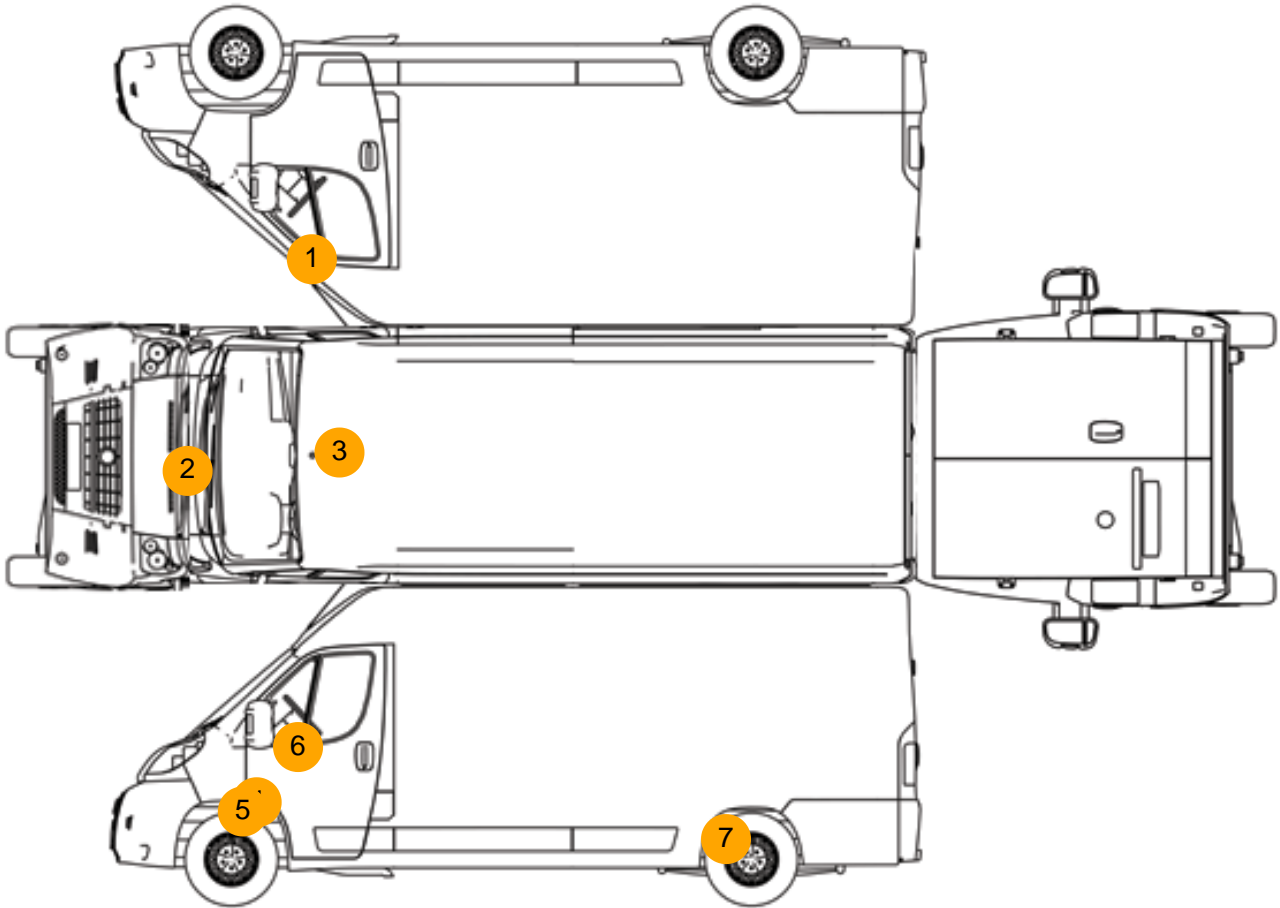
Features

- Park assist camera
- Air conditioning
- Front electric windows

Photos



Condition Check



Damage Photos



1: A Post os
Chipped
1 To 5

2: Bonnet
Chipped
Multiple Chips



3: Roof
Chipped
Multiple Chips

4: Wing nsf
Dented
Between 10mm + 30mm



5: Wing nsf
Scratched
Over 25mm Thru Paint

6: Door Mirror Assy nsf
Broken
Replace



7: Qtr Panel nsr
Scratched
Over 25mm Thru Paint

8: Carpets Front
Holed
Over 3mm



9: Switches And Controls
 Missing
 Replace

Interior

Carpet Condition	Average	Upholstery Condition	OK
Seat Condition	OK	Odour	No
Engine Runs	OK	Gearbox 1st and Reverse Test	OK
Brakes	OK	Clutch Slip Test from Static	OK
Parking Brake	OK	Gearbox Static Gear Selection (engine running)	OK
		No Excessive Smoking	OK
EML light illuminated	OK	Oil warning light illuminated	OK
Airbag light illuminated	OK	DPF light illuminated	OK
ABS light illuminated	OK	Service indicator light illuminated	OK